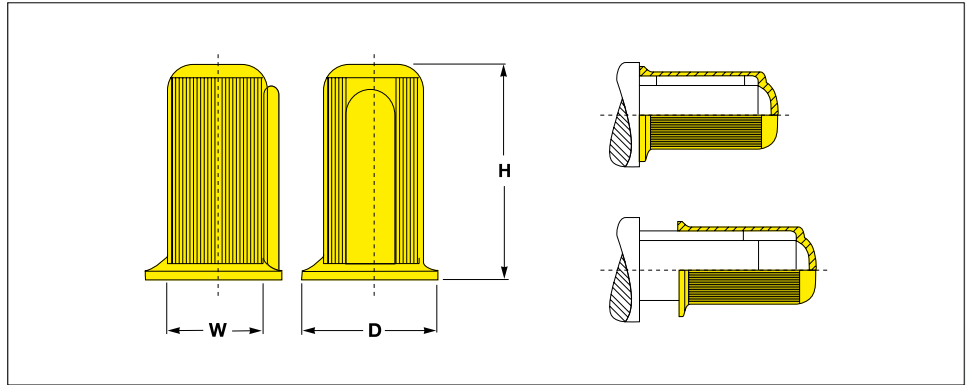


# Driveshaft Protection Caps with Fitting Key

Heavy duty protection for cylindrical driving shafts  
including fitting key  
DN 9 – DN 75



All dimensions in mm

**Material :**  
LLD-PE,  
linear low density polyethylene

**Standard Colour :**  
yellow

Fit driveshafts with a protruding fitting key.

Provide protection and masking of driveshafts as well as the surrounding bearings.

Resistant to tearing, splitting, oil and most chemicals.

Fits drive shafts to specification DIN 748, IEC 600-72 and ISO R775.

'Easypull' design makes removal easy.

Think Plastic. Go Protec.®

**PROTEC**  
**PLASTICS**

Shaft Diameter	Dimension Protection Cap			Standard Pack	Reference No.
	W	D	H		
9.0	14.5	24.0	15.000	EP 190 / W 9	
11.0	17.5	27.5	8.000	EP 190 / W 11	
14.0	22.5	35.0	4.500	EP 190 / W 14	
15.0	25.5	32.0	4.500	EP 190 / W 15	
16.0	25.5	47.0	2.700	EP 190 / W 16	
19.0	30.7	47.0	1.700	EP 190 / W 19	
20.0	32.0	58.5	1.500	EP 190 / W 20	
22.0	35.5	58.5	1.000	EP 190 / W 22	
24.0	38.5	58.5	900	EP 190 / W 24	
25.0	40.0	70.0	700	EP 190 / W 25	
28.0	45.0	70.0	600	EP 190 / W 28	
30.0	48.0	93.5	350	EP 190 / W 30	
32.0	51.0	93.5	500	EP 190 / W 32	
35.0	56.0	93.5	400	EP 190 / W 35	
38.0	61.0	93.5	350	EP 190 / W 38	
42.0	67.0	127.5	230	EP 190 / W 42	
45.0	72.0	117.5	200	EP 190 / W 45	
48.0	77.0	127.5	170	EP 190 / W 48	
55.0	88.0	127.5	125	EP 190 / W 55	
60.0	96.0	164.0	80	EP 190 / W 60	
65.0	104.0	164.0	60	EP 190 / W 65	
75.0	112.0	164.0	50	EP 190 / W 75	

Should your requirements not be shown please ask for separate quotation.  
PROTEC products and specifications are subject to improvement and change without notice.

# Driveshaft Protection Caps with Fitting Key

Heavy duty protection for cylindrical driving shafts  
including fitting key  
DN 9 – DN 75

## TRIPLE ADVANTAGE of PROTEC CAPTOP®

**QUALITY.** High quality solution for protection of driveshafts with a protruding fitting key. These easy to fit caps provide protection and masking of driveshafts as well as the surrounding bearings.

**AVAILABILITY.** With over 400 million moulded components shipped from our Oststeinbek / Hamburg logistics center we provide the fastest on time delivery service to all markets and industries.

**PHILOSOPHY.** Innovative protective closures at the best price in the market.



CAPTOP®



**Material :**  
LLD-PE,  
linear low density polyethylene

**Standard Colour :**  
yellow

**Individual Productions :**  
On request we develop and produce individually tailored solutions next to the standard items of this range: additional dimensions, different materials and new colours

We would be pleased to advise you.

Think Plastic. Go Protec.®

**PROTEC  
PLASTICS**